

Pvc, Aluminium & Timber Fornax FOLDING SYSTEMS



Warning

All information contained in this catalog has been tried to keep up to date since the date of publication. Fornax is not responsible for the technical and legislative changes and product changes that may occur due to timeout that made after the date of publication. Errors that may arise in the case of printing and typesetting, the records in Fornax system will be considered.

All copying and distribution rights reserved.

**Yelken Kalıp Pencere Kapı Aksesuarları
ve Metal Sanayi Tic. A.S.**

Kırac Battalgazi Mah. Ahmet Hasim Cad. No:27
Esenyurt - İstanbul - TURKEY

Phone : +90 212 771 01 01 PBX

Fax : +90 212 771 01 10

sales@fornax.com.tr

www.fornax.com.tr

Index

Specifications	4
Profile Calculation	5
System Details	8
Order Details	9
Product Details	10
Jig Details	14
Hinge Installation	15
Support - Bracket Installation	16
Track Installation	17
Folding System Runing Version	18
Advice on the use of glazing packers	19
For Aluminium Installation	20



TS EN 13126-15



TS EN 13126-16



TS EN 13126-17

Fornax Folding System

Specifications

- Concealed central locking system for one-hand-operation
- Optional top or bottom running door elements
- Inward or outward opening
- Silver and Black anodised roller tracks and guide tracks
- Coloured cover strips
- Powder-coated hinges and support brackets

- Tilt&Turn or Turn-Only sash as the access sash
- Retro-adjustable components
- Corrosion resistance 480 hour
- Tested according to DIN EN 13126-15 standart
- Aluminium track has brush pile seal



Fornax security components

Technical Specification

- Sash rebate width SRW: 450 mm – max. 1200 mm
- Sash rebate width SRW: 450 mm – max. 900 mm (folding sash)
- Sash rebate height SRH: 600 mm – max. 2400 mm
- Sash weight S.kg: max. 100 kg (for bottom-running version)
- Sash weight S.kg: max. 80 kg (for top-running version)
- Roller track length: max. 6m

Color Options

- Our Standart Colors for other colors please ask your sales representative

Ral-9016

Ral-8022

Ral-9006



INWARD / OUTWARD OPENING (Z) TYPE

TSW: Total Sash Width

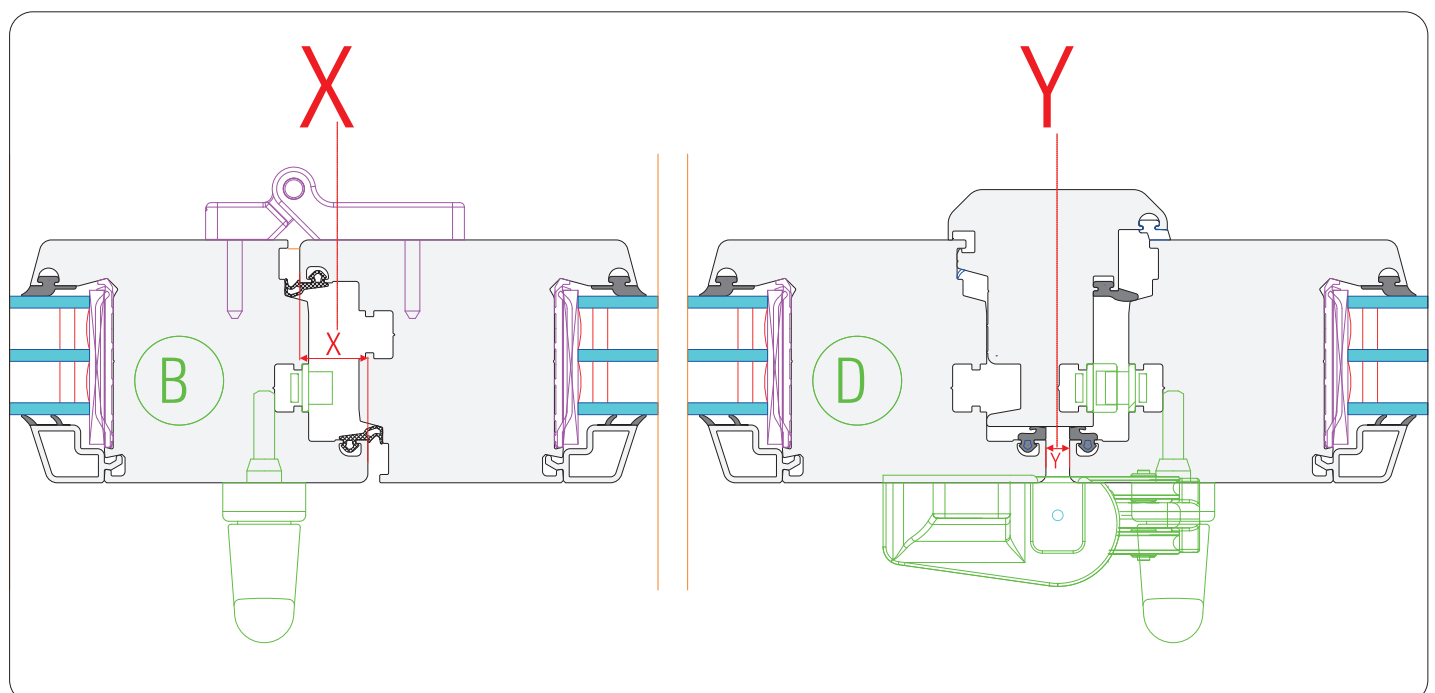
SW 1 = Sash Width 1

SW 2 = Sash Width 2

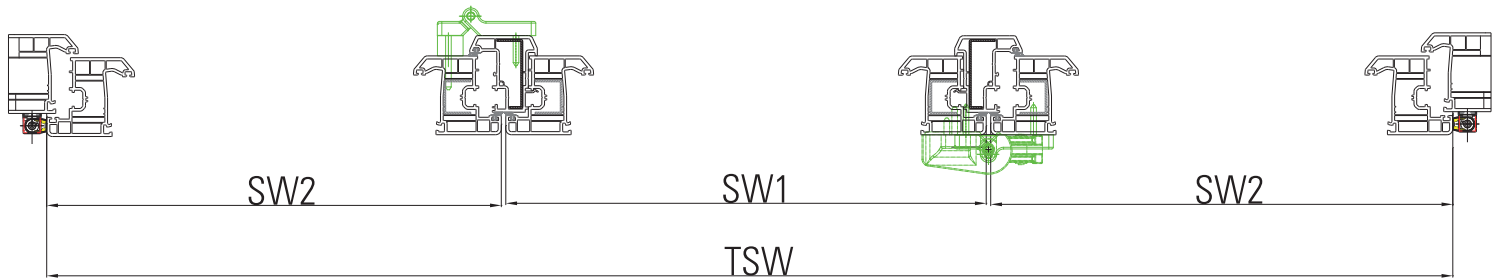
SW 3 = Sash Width 3

SW 4 = Sash Width 4

SCHEMA	FORMULATION		
321	$SW\ 1 = \frac{TSW-61}{3}$	$SW\ 4 = SW\ 1 + 38$	$SW1 = \frac{TSW+X-Y-76mm}{3\ SASH}$
330	$SW\ 1 = \frac{TSW+28}{3}$	$SW\ 2 = SW\ 1 + 9$	$SW\ 1 = \frac{TSW+(2*X)-18mm}{3\ SASH}$
431	$SW\ 1 = \frac{TSW+20}{4}$	$SW\ 2 = SW\ 1 + 9$ $SW\ 2 = SW\ 1 + 9$	$SW\ 1 = \frac{TSW+(2*X)-Y-18mm}{4\ SASH}$
541	$SW\ 1 = \frac{TSW+14}{5}$	$SW\ 3 = SW\ 1 + 29$	$SW\ 1 = \frac{TSW+(3*X)-Y-47mm}{5\ SASH}$
550	$SW\ 1 = \frac{TSW+74}{5}$	$SW\ 2 = SW\ 1 + 9$	$SW\ 1 = \frac{TSW+(4*X)-18mm}{5\ SASH}$
532	$SW\ 1 = \frac{TSW+14}{5}$	$SW\ 2 = SW\ 1 + 9$ $SW\ 4 = SW\ 1 + 38$	$SW\ 1 = \frac{TSW+(3*X)-Y-47mm}{5\ SASH}$
651/633	$SW\ 1 = \frac{TSW+66}{6}$	$SW\ 2 = SW\ 1 + 9$	$SW\ 1 = \frac{TSW+(4*X)-Y-18mm}{6\ SASH}$
761/743	$SW\ 1 = \frac{TSW+60}{7}$	$SW\ 2 = SW\ 1 + 9$ $SW\ 3 = SW\ 1 + 29$	$SW\ 1 = \frac{TSW+(5*X)-Y-47mm}{7\ SASH}$
770	$SW\ 1 = \frac{TSW+120}{7}$	$SW\ 2 = SW\ 1 + 9$	$SW\ 1 = \frac{TSW+(6*X)-Y-18mm}{7\ SASH}$



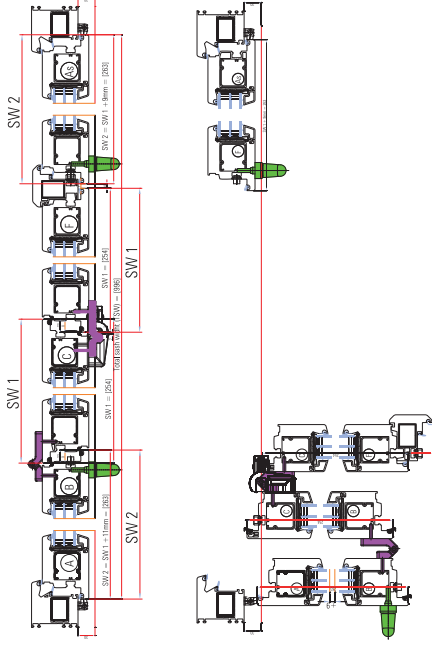
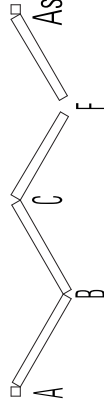
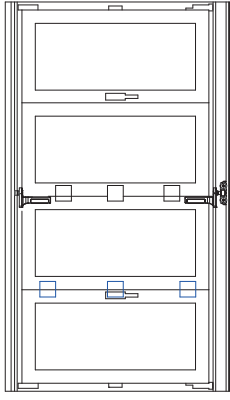
False Mullion Profile / (T) Profile / Adapter



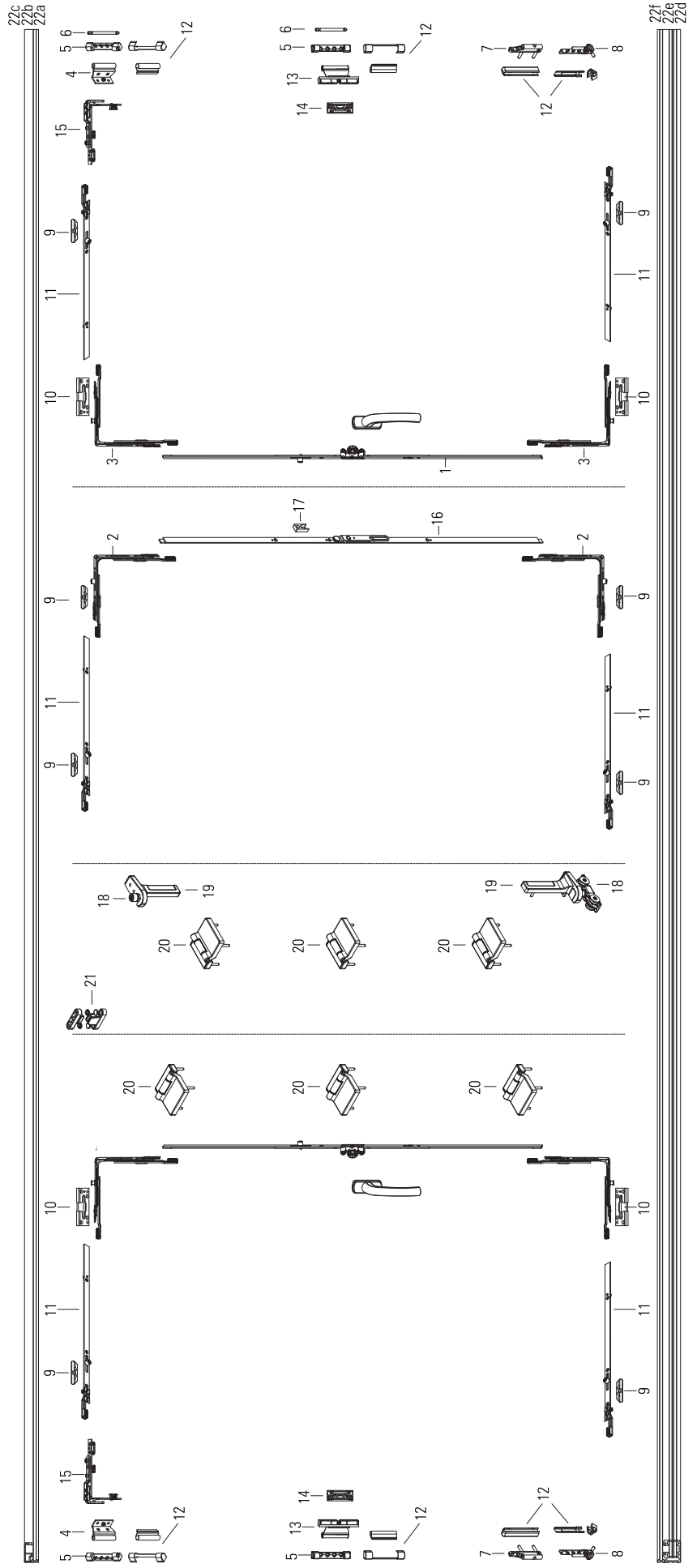
SCHEMA	FORMULATION										
<p>220 (2+0)</p>	<table border="1"> <thead> <tr> <th>SCHEMA</th> <th>FORMULA</th> <th>FORMULA</th> </tr> </thead> <tbody> <tr> <td>220</td> <td>$SW\ 1 = \frac{TSW-71}{2}$</td> <td>$SW\ 2 = SW\ 1 + 65$</td> </tr> </tbody> </table>	SCHEMA	FORMULA	FORMULA	220	$SW\ 1 = \frac{TSW-71}{2}$	$SW\ 2 = SW\ 1 + 65$				
SCHEMA	FORMULA	FORMULA									
220	$SW\ 1 = \frac{TSW-71}{2}$	$SW\ 2 = SW\ 1 + 65$									
<p>330 (3+0)</p>	<table border="1"> <thead> <tr> <th>SCHEMA</th> <th>FORMULA</th> <th>FORMULA</th> </tr> </thead> <tbody> <tr> <td>330</td> <td>$SW\ 1 = \frac{TSW-137}{3}$</td> <td>$SW\ 2 = SW\ 1 + 64,5$</td> </tr> </tbody> </table>	SCHEMA	FORMULA	FORMULA	330	$SW\ 1 = \frac{TSW-137}{3}$	$SW\ 2 = SW\ 1 + 64,5$				
SCHEMA	FORMULA	FORMULA									
330	$SW\ 1 = \frac{TSW-137}{3}$	$SW\ 2 = SW\ 1 + 64,5$									
<p>321 (2+1)</p>	<table border="1"> <thead> <tr> <th>SCHEMA</th> <th>FORMULA</th> <th>FORMULA</th> </tr> </thead> <tbody> <tr> <td>321</td> <td>$SW\ 1 = \frac{TSW-137}{3}$</td> <td>$SW\ 2 = SW\ 1 + 64,5$</td> </tr> </tbody> </table>	SCHEMA	FORMULA	FORMULA	321	$SW\ 1 = \frac{TSW-137}{3}$	$SW\ 2 = SW\ 1 + 64,5$				
SCHEMA	FORMULA	FORMULA									
321	$SW\ 1 = \frac{TSW-137}{3}$	$SW\ 2 = SW\ 1 + 64,5$									
<p>431 (3+1)</p>	<table border="1"> <thead> <tr> <th>SCHEMA</th> <th>FORMULA</th> <th>FORMULA</th> </tr> </thead> <tbody> <tr> <td>431</td> <td>$SW\ 1 = \frac{TSW-141}{4}$</td> <td>$SW\ 2 = SW\ 1 + 64,5$</td> </tr> </tbody> </table>	SCHEMA	FORMULA	FORMULA	431	$SW\ 1 = \frac{TSW-141}{4}$	$SW\ 2 = SW\ 1 + 64,5$				
SCHEMA	FORMULA	FORMULA									
431	$SW\ 1 = \frac{TSW-141}{4}$	$SW\ 2 = SW\ 1 + 64,5$									
<p>440 (4+0)</p>	<table border="1"> <thead> <tr> <th>SCHEMA</th> <th>FORMULA</th> <th>FORMULA</th> </tr> </thead> <tbody> <tr> <td>440</td> <td>$SW\ 1 = \frac{TSW-147,5}{4}$</td> <td>$SW\ 2 = SW\ 1 + 64,5$</td> </tr> <tr> <td></td> <td></td> <td>$SW\ 3 = SW\ 1 + 6,5$</td> </tr> </tbody> </table>	SCHEMA	FORMULA	FORMULA	440	$SW\ 1 = \frac{TSW-147,5}{4}$	$SW\ 2 = SW\ 1 + 64,5$			$SW\ 3 = SW\ 1 + 6,5$	
SCHEMA	FORMULA	FORMULA									
440	$SW\ 1 = \frac{TSW-147,5}{4}$	$SW\ 2 = SW\ 1 + 64,5$									
		$SW\ 3 = SW\ 1 + 6,5$									
<p>541 (4+1)</p>	<table border="1"> <thead> <tr> <th>SCHEMA</th> <th>FORMULA</th> <th>FORMULA</th> </tr> </thead> <tbody> <tr> <td>541</td> <td>$SW\ 1 = \frac{TSW-211}{5}$</td> <td>$SW\ 2 = SW\ 1 + 65$</td> </tr> <tr> <td></td> <td></td> <td>$SW\ 3 = SW\ 2 - 9$</td> </tr> </tbody> </table>	SCHEMA	FORMULA	FORMULA	541	$SW\ 1 = \frac{TSW-211}{5}$	$SW\ 2 = SW\ 1 + 65$			$SW\ 3 = SW\ 2 - 9$	
SCHEMA	FORMULA	FORMULA									
541	$SW\ 1 = \frac{TSW-211}{5}$	$SW\ 2 = SW\ 1 + 65$									
		$SW\ 3 = SW\ 2 - 9$									
<p>550 (5+0)</p>	<table border="1"> <thead> <tr> <th>SCHEMA</th> <th>FORMULA</th> <th>FORMULA</th> </tr> </thead> <tbody> <tr> <td>550</td> <td>$SW\ 1 = \frac{TSW-211}{5}$</td> <td>$SW\ 2 = SW\ 1 + 65$</td> </tr> <tr> <td></td> <td></td> <td>$SW\ 3 = SW\ 2 - 9$</td> </tr> </tbody> </table>	SCHEMA	FORMULA	FORMULA	550	$SW\ 1 = \frac{TSW-211}{5}$	$SW\ 2 = SW\ 1 + 65$			$SW\ 3 = SW\ 2 - 9$	
SCHEMA	FORMULA	FORMULA									
550	$SW\ 1 = \frac{TSW-211}{5}$	$SW\ 2 = SW\ 1 + 65$									
		$SW\ 3 = SW\ 2 - 9$									
<p>633 (3+3)</p>	<table border="1"> <thead> <tr> <th>SCHEMA</th> <th>FORMULA</th> <th>FORMULA</th> </tr> </thead> <tbody> <tr> <td>633</td> <td>$SW\ 1 = \frac{TSW-278}{6}$</td> <td>$SW\ 2 = SW\ 1 + 64,5$</td> </tr> </tbody> </table>	SCHEMA	FORMULA	FORMULA	633	$SW\ 1 = \frac{TSW-278}{6}$	$SW\ 2 = SW\ 1 + 64,5$				
SCHEMA	FORMULA	FORMULA									
633	$SW\ 1 = \frac{TSW-278}{6}$	$SW\ 2 = SW\ 1 + 64,5$									

SYSTEM DETAIL (431)

1	Tilt&Turn espagnolette	12	Cover Set
2	Corner transmission standart	13	Middle Hinge
3	Corner transmission security type	14	Hidden Central Hinge
4	Stay Arm Hinge	15	Double Sash Top Hinge
5	Stay Arm Bearing	16	Double Sash Gear
6	Stay Arm Bearing Pin	17	Universal striker for Double Sash
7	Bottom Hinge (Sash Part)	18	Bogie Set
8	Bottom Hinge (Frame Part)	19	Support Bracket Accessories
9	Striker	20	Folding Hinge (20/40)
10	Security striker	21	Set Sash Retaining Device
11	Extension Part	22	Folding Al Track Set



431 (3 LEFT, 1 RIGHT OPENING)
HARDWARE TABLE



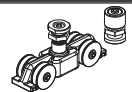
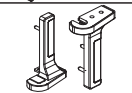
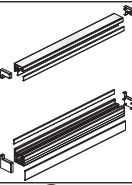

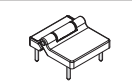
Fornax Folding System Order Details

Number of sashes that open to the left

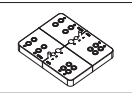
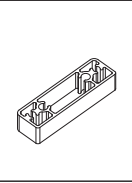

431

Total number of sashes Number of sashes that open to the right

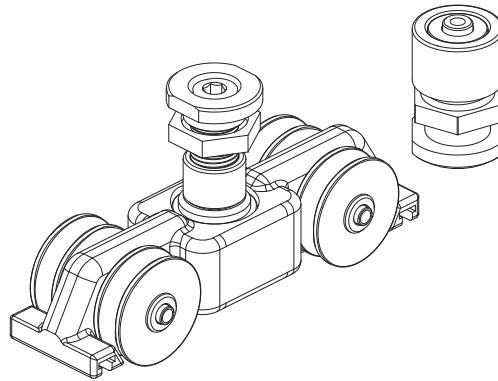
Sample order for schema 431

TECHNICAL PICTURE	CODE	PART NAME	LENGHT /AXE	COLOUR VARIANT			FOLDING SCHEMA- MIN. QUANTITY										
				WHITE RAL-9016	BLACK RAL-8022	SILVER RAL-9006	321	330	431	532	541	550	633	651	743	761	770
	141.001.001.001	Bogie set					1	1	1	2	2	2	2	2	3	3	3
	141.002.001.001	Support bracket Accessories (upvc&timber)		☑	☑	☑	1	1	1	2	2	2	2	2	3	3	3
	141.003.003.001	Folding 3 m Track set	1 - 3000				1	1	1	1	1	1	1	1	1	1	1
	141.003.004.001	Folding 4 m Track set	3001 - 4000	☑	☑	☑	1	1	1	1	1	1	1	1	1	1	1
	141.003.005.001	Folding 5 m Track set	4001 - 5000				1	1	1	1	1	1	1	1	1	1	1
	141.003.006.001	Folding 6 m Track set	5001 - 6000				1	1	1	1	1	1	1	1	1	1	1
	141.004.001.001	Set Sash Retaining Device		☑	☑	☑	1	2	2	3	2	2	4	2	4	2	2
	141.005.001.001	Folding Hinge Set	20/40	☑	☑	☑	3	6	6	9	9	12	12	12	15	15	18
	141.005.003.001	Folding Hinge Set	20/50														
	141.005.004.001	Folding Hinge Set	30/50														

Accessories

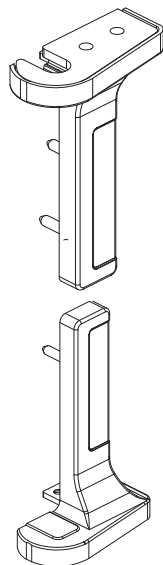
	141.006.001.001	Folding system Hinge Jig															
	141.007.001.001	Folding system Support Bracket Jig															
	141.008.001.001	Packers frame hinge-bearing	16mm														
	141.008.002.001	Packers frame hinge-bearing	17mm														
	141.008.003.001	Packers frame hinge-bearing	18mm	☑	☑	☑											
	141.008.004.001	Packers frame hinge-bearing	19mm														
	141.009.001.001	Packers support bracket (for aluminium)	8mm	☑	☑	☑	2	2	2	4	4	4	4	4	6	6	6

Fornax Bogie Set



Code	Product Details	Pcs.
141.001.001.001	Bogie Set	1 pc.

Fornax Support bracket Accessories for upvc&timber



Color Options (for Cover and profile slats)

■ Our Standart Colors for other colors please ask your sales representative

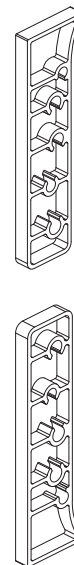
Ral-9016

Ral-8022

Ral-9006

Code	Product Details	Pcs.
141.002.001.001	Support bracket Accessories (upvc&timber)	1 pc.

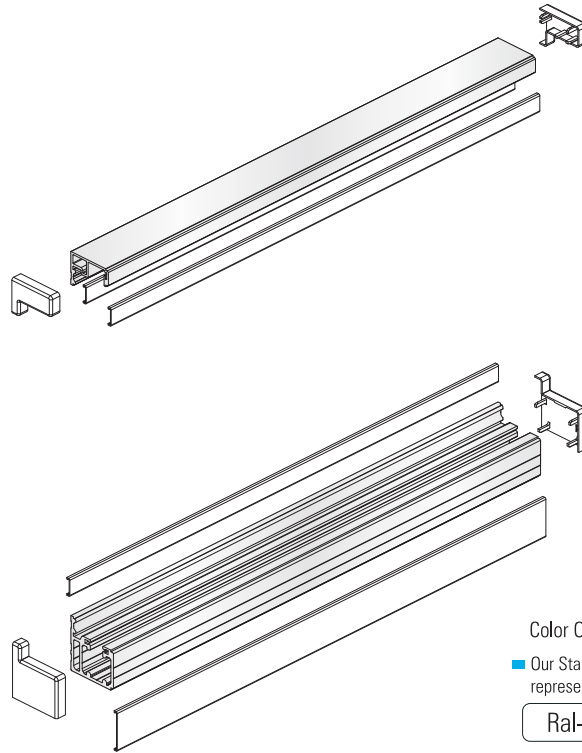
Fornax Packers support bracket for aluminium



Code	Product Details	Pcs.
141.002.001.001	Packers support bracket 8 mm (for aluminium)	1 pc.

Fornax Folding System

Fornax Folding Track set



Color Options (for Top and Bottom Rail)

■ Our Standart Colors for other colors please ask your sales representative

Ral-8022

Ral-9006

Color Options (for Cover and profile slats)

■ Our Standart Colors for other colors please ask your sales representative

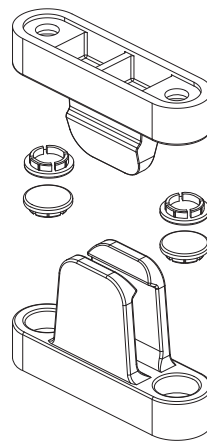
Ral-9016

Ral-8022

Ral-9006

Code	Product Details			Pcs.
141.003.003.001	Folding 3 m Track set	-	-	1 pc.
141.003.004.001	Folding 4 m Track set	-	-	1 pc.
141.003.005.001	Folding 5 m Track set	-	-	1 pc.
141.003.006.001	Folding 6 m Track set	-	-	1 pc.

Fornax Set Sash Retaining Device



Color Options (for Cover and profile slats)

■ Our Standart Colors for other colors please ask your sales representative

Ral-9016

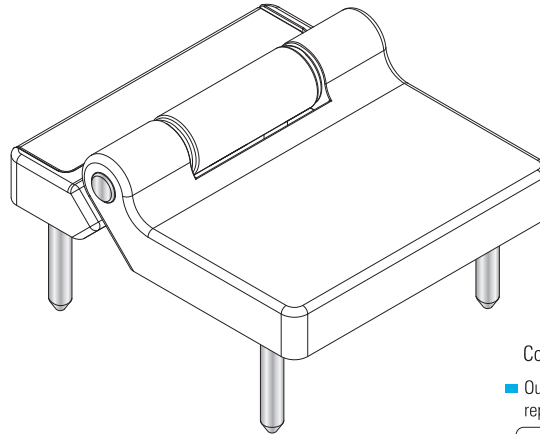
Ral-8022

Ral-9006

Code	Product Details			Pcs.
141.004.001.001	Set Sash Retaining Device	-	-	1 pc.

Fornax Folding System

Fornax Folding Hinge Set 20/40 Axis



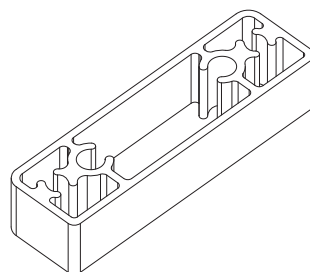
Color Options (for Cover and profile slats)

■ Our Standart Colors for other colors please ask your sales representative

Ral-9016 **Ral-8022** Ral-9006

Code	Product Details			Pcs.
141.005.001.001	Folding Hinge Set 20/40 Axis	-	-	1 pc.
141.005.002.001	Folding Hinge Set 20/40 Axis with long pin : 60mm	-	-	1 pc.
141.005.003.001	Folding Hinge Set 20/50 Axis	-	-	1 pc.
141.005.004.001	Folding Hinge Set 30/50 Axis	-	-	1 pc.

Fornax Folding System Packers frame hinge-bearing



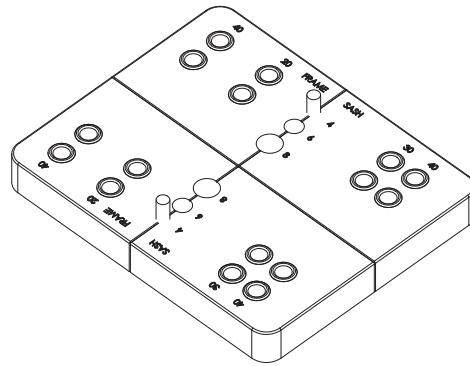
Color Options (for Cover and profile slats)

■ Our Standart Colors for other colors please ask your sales representative

Ral-9016 **Ral-8022** Ral-9006

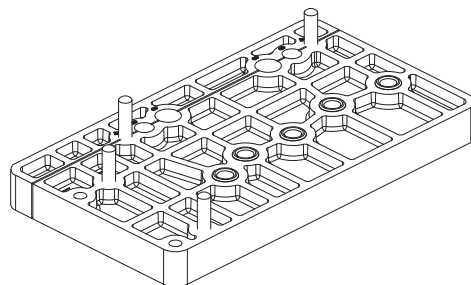
Code	Product Details			Pcs.
141.008.001.001	Packers frame hinge-bearing 16 mm			1 pc.
141.008.001.001	Packers frame hinge-bearing 17 mm			1 pc.
141.008.001.001	Packers frame hinge-bearing 18 mm			1 pc.
141.008.001.001	Packers frame hinge-bearing 19 mm			1 pc.

Fornax Folding System Jig Details Hinge Jig



Code	Product Details			Pcs.
141.006.001.001	Folding system Hinge Jig	-	-	1 pc.

Fornax Folding System Jig Details Support Bracket Jig



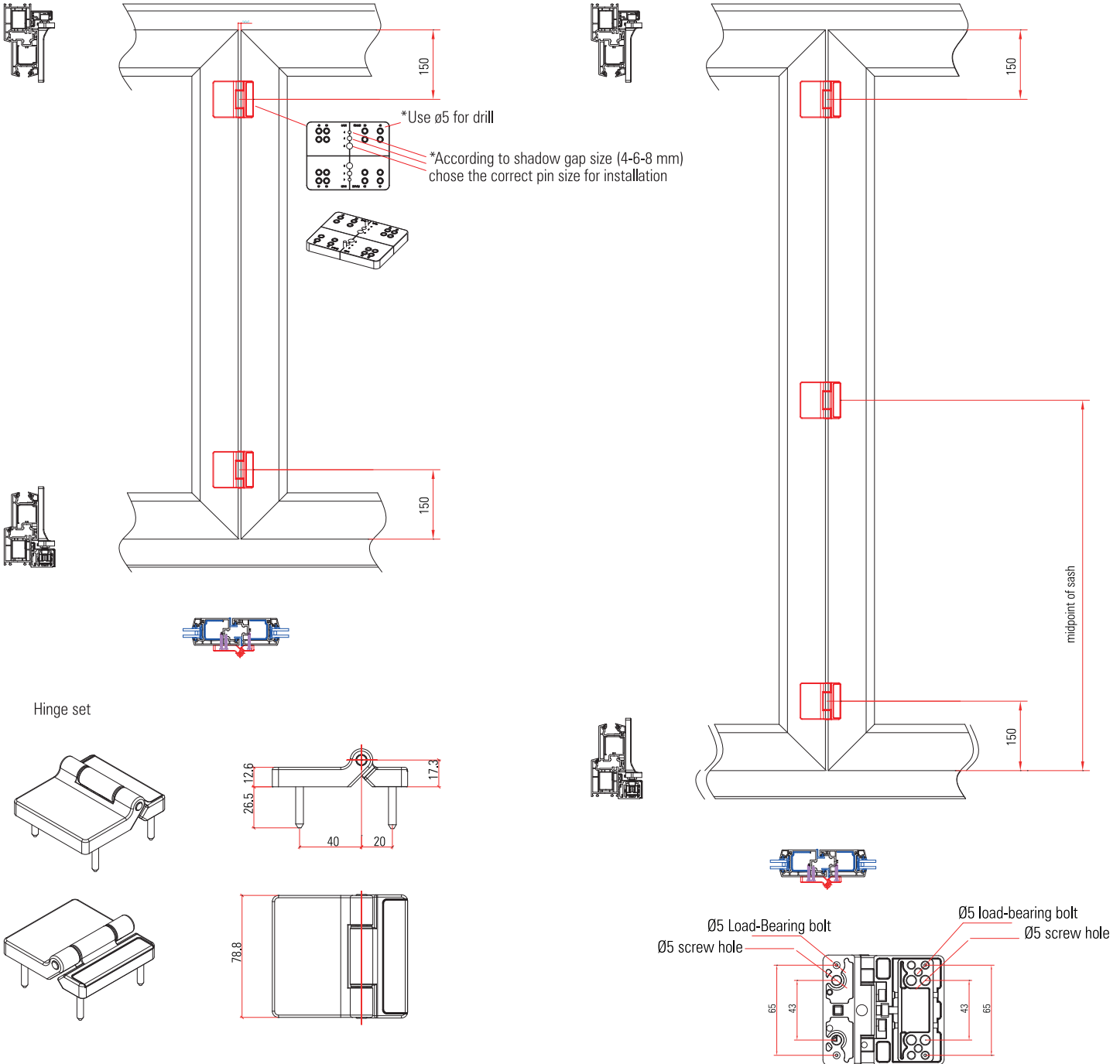
Code	Product Details			Pcs.
141.007.001.001	Folding system Support Bracket Jig	-	-	1 pc.

Fornax Folding System

Fornax Folding System Hinge Installation

Sash height < 1100

Sash height > 1100

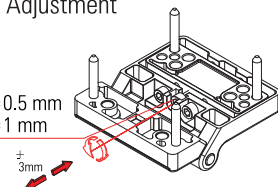


Fixing Hinge

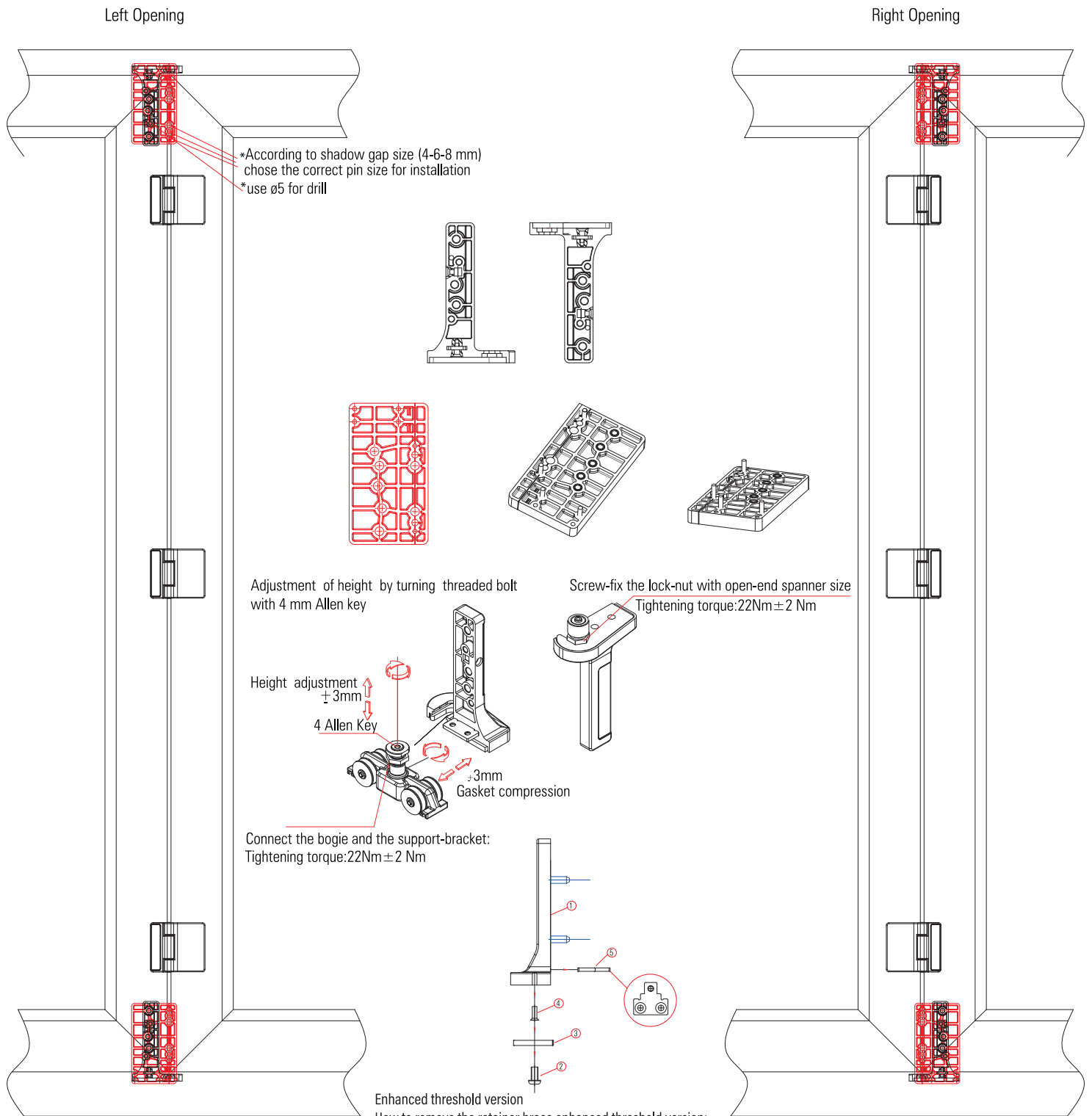
1. The Hole for the load-bearing bolt (Ø5) of the hinge should be prepared in advance.
2. After mounting the hinge on the hole of the load-bearing bolt, to fix the hinge with screws.
3. Length of the screws should be identified as long enough as to fix to the steel reinforcement.

Hinge Adjustment

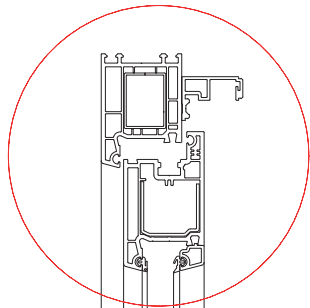
- 4 Allen key
Turning 180° = 0.5 mm
Turning 360° = 1 mm



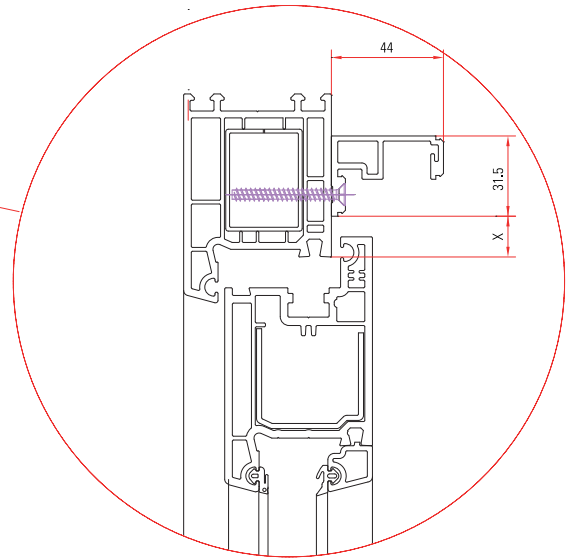
Fornax Folding System Support - Bracket Installation



Fornax Folding System Track Installation

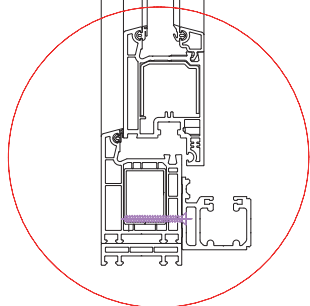


The Screws fixing the upper running track must long enough to reach the steel reinforcement.

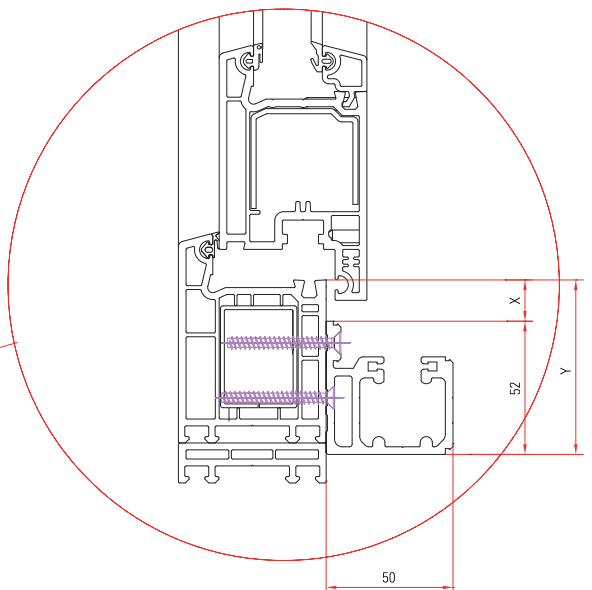


Track Application Guide	
Sash overlap height	X
18	14
20	16
22	18

Min. Frame Height	
Sash overlap height	Y
18	66
20	68
22	70

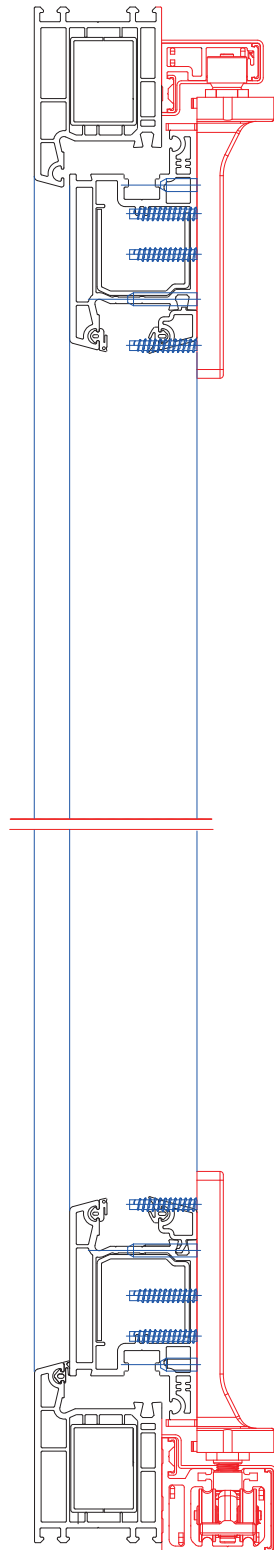


The Screws fixing the upper running track must long enough to reach the steel reinforcement.

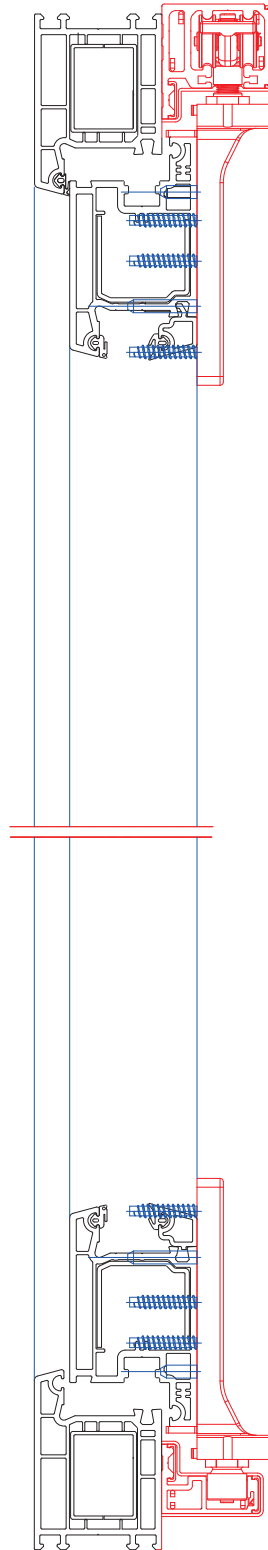


Fornax Folding System Folding System Runing Version

Bottom running version



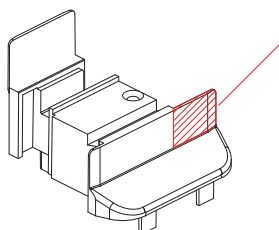
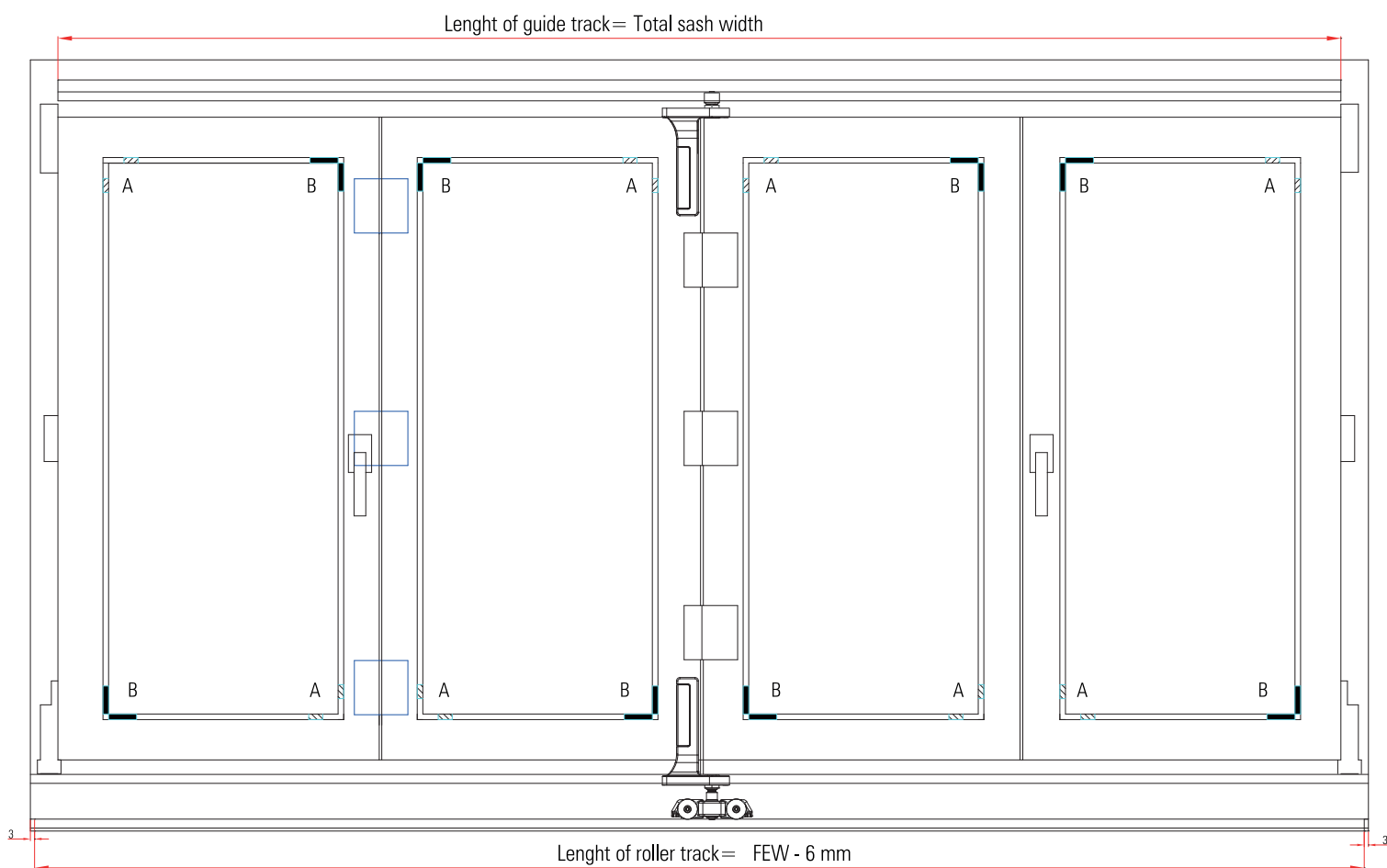
Top running version





Fornax Folding System
Advice on the use of glazing packers

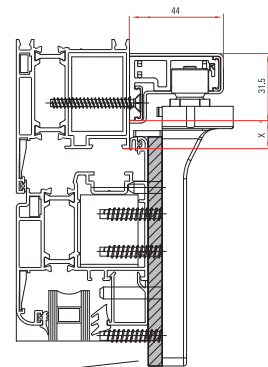
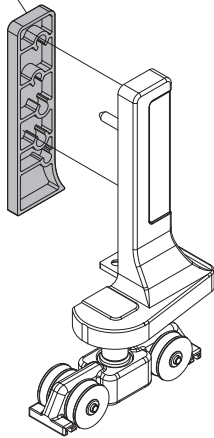
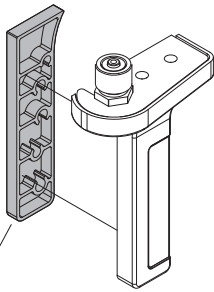
A = spacer block
B = support block



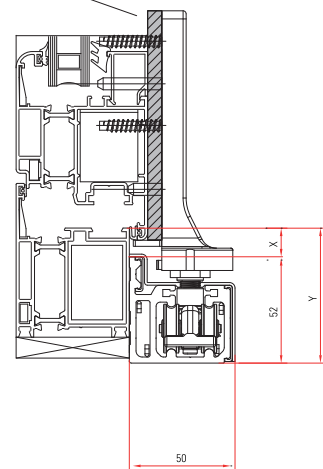
Schema 321,532,541,743,761 That place should be cutten

Fornax Folding System For Aluminium Installation

Packers support bracket for aluminium

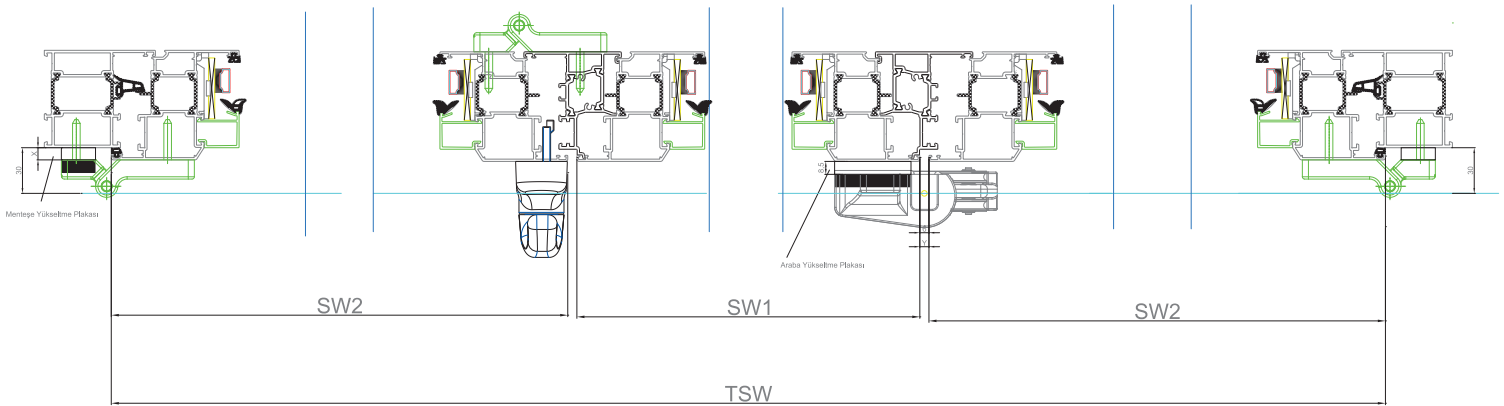


Track Application Guide	
Sash overlap height	X
18	14
20	16
22	18

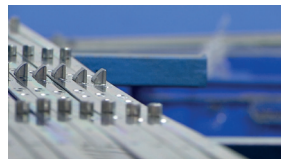
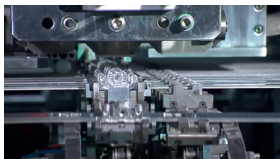


Min. Frame Height	
Sash overlap height	Y
18	66
20	68
22	70

Sash Calculation Formula For Aluminum Profiles



SCHEMA		FORMULATION										
<p>ALU 330</p>	<table border="1"> <thead> <tr> <th>SCHEMA</th> <th>FORMULA</th> <th>FORMULA</th> </tr> </thead> <tbody> <tr> <td>330</td> <td>$SW\ 1 = \frac{TSW-161}{3}$</td> <td>$SW\ 2 = SW\ 1 + 74$</td> </tr> </tbody> </table>	SCHEMA	FORMULA	FORMULA	330	$SW\ 1 = \frac{TSW-161}{3}$	$SW\ 2 = SW\ 1 + 74$					
SCHEMA	FORMULA	FORMULA										
330	$SW\ 1 = \frac{TSW-161}{3}$	$SW\ 2 = SW\ 1 + 74$										
<p>321</p>	<table border="1"> <thead> <tr> <th>SCHEMA</th> <th>FORMULA</th> <th>FORMULA</th> </tr> </thead> <tbody> <tr> <td>321</td> <td>$SW\ 1 = \frac{TSW-161}{3}$</td> <td>$SW\ 2 = SW\ 1 + 74$</td> </tr> </tbody> </table>	SCHEMA	FORMULA	FORMULA	321	$SW\ 1 = \frac{TSW-161}{3}$	$SW\ 2 = SW\ 1 + 74$					
SCHEMA	FORMULA	FORMULA										
321	$SW\ 1 = \frac{TSW-161}{3}$	$SW\ 2 = SW\ 1 + 74$										
<p>431</p>	<table border="1"> <thead> <tr> <th>SCHEMA</th> <th>FORMULA</th> <th>FORMULA</th> </tr> </thead> <tbody> <tr> <td>431</td> <td>$SW\ 1 = \frac{TSW-241.5}{4}$</td> <td>$SW\ 2 = SW\ 1 + 74$</td> </tr> </tbody> </table>	SCHEMA	FORMULA	FORMULA	431	$SW\ 1 = \frac{TSW-241.5}{4}$	$SW\ 2 = SW\ 1 + 74$					
SCHEMA	FORMULA	FORMULA										
431	$SW\ 1 = \frac{TSW-241.5}{4}$	$SW\ 2 = SW\ 1 + 74$										
<p>ALU 541</p>	<table border="1"> <thead> <tr> <th>SCHEMA</th> <th>FORMULA</th> <th>FORMULA</th> </tr> </thead> <tbody> <tr> <td>541</td> <td>$SW\ 1 = \frac{TSW-253}{5}$</td> <td>$SW\ 2 = SW\ 1 + 74$</td> </tr> <tr> <td></td> <td></td> <td>$SW\ 3 = SW\ 1 + 5$</td> </tr> </tbody> </table>	SCHEMA	FORMULA	FORMULA	541	$SW\ 1 = \frac{TSW-253}{5}$	$SW\ 2 = SW\ 1 + 74$			$SW\ 3 = SW\ 1 + 5$		
SCHEMA	FORMULA	FORMULA										
541	$SW\ 1 = \frac{TSW-253}{5}$	$SW\ 2 = SW\ 1 + 74$										
		$SW\ 3 = SW\ 1 + 5$										
<p>ALU 761</p>	<table border="1"> <thead> <tr> <th>SCHEMA</th> <th>FORMULA</th> <th>FORMULA</th> </tr> </thead> <tbody> <tr> <td>761</td> <td>$SW\ 1 = \frac{TSW-344}{7}$</td> <td>$SW\ 2 = SW\ 1 + 74$</td> </tr> <tr> <td></td> <td></td> <td>$SW\ 3 = SW\ 1 + 5$</td> </tr> </tbody> </table>	SCHEMA	FORMULA	FORMULA	761	$SW\ 1 = \frac{TSW-344}{7}$	$SW\ 2 = SW\ 1 + 74$			$SW\ 3 = SW\ 1 + 5$		
SCHEMA	FORMULA	FORMULA										
761	$SW\ 1 = \frac{TSW-344}{7}$	$SW\ 2 = SW\ 1 + 74$										
		$SW\ 3 = SW\ 1 + 5$										



CERTIFICATIONS

